

BODILINK® MEDIAL KNEE/THIGH SUPPORT ORDER FORM

HCPCS CODING: E0957 - MEDIAL THIGH SUPPORT PAD
 HCPCS CODING: E1028 - SWING-AWAY HARDWARE
 HCPCS CODING: E2231 - SOLID SEAT SUPPORT BASE



SEATING + POSITIONING

Company Name/ACCT #: _____

P.O. Number: _____

Requested By: _____

Phone: _____ Fax: _____

Email: _____

Ship To: _____

Patient Reference: _____



Oval Pad Shown on Large Hardware



Removable Solid Seat Pan

For best results, do not fill out in your browser. Interactive form should be completed using Adobe Reader after saving to your local drive. Then email or print and fax to Customer Support at orders.comfort@permobil.com or 1.406.522.8563.

DO NOT SEND PATIENT PROTECTED HEALTH INFORMATION. IT IS NOT NEEDED TO MAKE THE PRODUCT YOU ARE REQUESTING.

1 BODILINK® MEDIAL KNEE/THIGH SUPPORT PAD

1.1

PAD SIZE & SHAPE

HCPCS CODING: E0957 MSRP \$130.00

	STYLE	SIZE	PART NUMBER
W		2.5"W x 3.5"D	BL-MKTSP1-3W4D
		3.5"W x 5"D	BL-MKTSP1-4W5D
		4"W x 6"D	BL-MKTSP1-4W6D
W		2.5"W x 3.5"D	BL-MKTSP2-3W4D
		3.5"W x 5"D	BL-MKTSP2-4W5D
		5"W x 6"D	BL-MKTSP2-5W6D
		D	

1.2

PAD COVER MATERIAL

- You may make one selection per column.
- Choose between wedge or oval in 1.1.
- Choose a cover material in 1.2.

	FOR SKIN PROTECTION & SHEAR REDUCTION. NOT FLUID RESISTANT.
	FOR FLUID PROTECTION & AN EASILY CLEANED SURFACE.
	FOR PATIENT COMFORT & HEAT DISSIPATION.

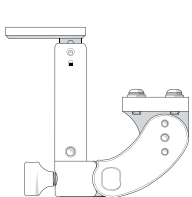
GlideWear® (MKTSP-GLIDE) (add \$15.00)
Comfort-Tek (MKTSP-COMFORT)
Stretch-Air (MKTSP-STRETCH)

2 BODILINK® MEDIAL KNEE/THIGH SUPPORT HARDWARE

2.1

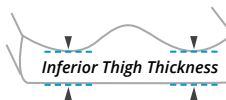
MEDIAL KNEE/THIGH SUPPORT SWING AWAY HARDWARE

HCPCS CODING: E1028 MSRP \$180.00

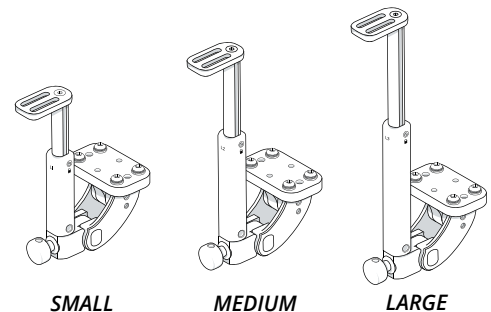


SIZE	PART NUMBER
SMALL	BL-MKTS-ST1SASL1
MEDIUM	BL-MKTS-ST1SASL2
LARGE	BL-MKTS-ST1SASL3

**Swing Away Hardware only, not available in Fixed Hardware*
***MKTS Hardware must be mounted to Removable Solid Seat Pan in section 3*
****If Leg Length Discrepancy is needed on Removable Solid Seat Pan, Offset Orientation must be selected*



- You may make one selection per column.
- Choose a hardware size in 2.1.



SIZE	RECOMMENDED INFERIOR THIGH THICKNESS
Small	1.00"- 3.00"
Medium	2.00"- 5.00"
Large	3.00"- 7.00"

3 BODILINK® MEDIAL KNEE/THIGH SUPPORT HARDWARE

3.1

REMOVABLE SOLID SEAT PAN & HARDWARE KIT

HCPCS Code: E2231 MSRP \$387.00

The solid seat pan kit includes a slotted aluminum pan and attaching hardware to accommodate 7/8" or 1" tubing. The kit also comes with two different cross bars to accommodate various wheelchair frame types. This will fit both folding and non-folding seat rails. Lateral thigh support hardware can be easily attached.

Please fill in the below with dimensions.
Example Part for 14W x 16D: **RSSP-1-1416**

RSSP-1- _____

SIZE RANGE:
WIDTH: **10" - 28"**
DEPTH: **10" - 22"**

Part Number:
RSSP-1-WWDD

