

BODILINK® LATERAL TRUNK SUPPORT BASIC ORDER FORM



SEATING + POSITIONING

HCPCS CODING: E0956 - LATERAL TRUNK SUPPORT
E1028 - SWING-AWAY HARDWARE

Since U.S. Medicare coding is subject to change, the provider should always confirm the HCPCS code and coverage criteria as part of the client assessment process.

Basic and GT Style Shown



Swing-Away hardware shown

Company Name/ACCT #: _____

P.O. Number: _____

Requested By: _____

Phone: _____ Fax: _____

Email: _____

Ship To: _____

Patient Reference: _____

For best results, do not fill out in your browser. Interactive form should be completed using Adobe Reader after saving to your local drive. Then email or print and fax to Customer Support at orders.comfort@permobil.com or 1.406.522.8563.

DO NOT SEND PATIENT PROTECTED HEALTH INFORMATION. IT IS NOT NEEDED TO MAKE THE PRODUCT YOU ARE REQUESTING.

1 SUPPORT PADS

1.1 BASIC SIZE & SHAPE

HCPCS Code: E0956 MSRP \$82.00/ea.

- You may make one selection per column in section 1.1.
- Follow each column down to sections 1.2 and 1.3 and select a style and cover for each pad selected in section 1.1.

*Length (L) refers to the actual size dimension of the support from top to bottom edge. Depth (D) refers to the actual size dimension from anterior to posterior edge.

	SHAPE	SIZE	LEFT	*EXTRA LEFT	RIGHT	*EXTRA RIGHT
SUPPORTIVE		3"L x 4"D	BL-LTSP1S-3L4D-LH	BL-LTSP1S-3L4D-LH	BL-LTSP1S-3L4D-RH	BL-LTSP1S-3L4D-RH
		3"L x 5"D	BL-LTSP1S-3L5D-LH	BL-LTSP1S-3L5D-LH	BL-LTSP1S-3L5D-RH	BL-LTSP1S-3L5D-RH
		4"L x 5"D	BL-LTSP1S-4L5D-LH	BL-LTSP1S-4L5D-LH	BL-LTSP1S-4L5D-RH	BL-LTSP1S-4L5D-RH
		4"L x 6"D	BL-LTSP1S-4L6D-LH	BL-LTSP1S-4L6D-LH	BL-LTSP1S-4L6D-RH	BL-LTSP1S-4L6D-RH
		5"L x 7"D	BL-LTSP1S-5L7D-LH	BL-LTSP1S-5L7D-LH	BL-LTSP1S-5L7D-RH	BL-LTSP1S-5L7D-RH
		6"L x 6"D	BL-LTSP1S-6L6D-LH	BL-LTSP1S-6L6D-LH	BL-LTSP1S-6L6D-RH	BL-LTSP1S-6L6D-RH
ACTIVE		3"L x 4"D	BL-LTSP1A-3L4D-LH	BL-LTSP1A-3L4D-LH	BL-LTSP1A-3L4D-RH	BL-LTSP1A-3L4D-RH
		3"L x 5"D	BL-LTSP1A-3L5D-LH	BL-LTSP1A-3L5D-LH	BL-LTSP1A-3L5D-RH	BL-LTSP1A-3L5D-RH
		4"L x 5"D	BL-LTSP1A-4L5D-LH	BL-LTSP1A-4L5D-LH	BL-LTSP1A-4L5D-RH	BL-LTSP1A-4L5D-RH
		4"L x 6"D	BL-LTSP1A-4L6D-LH	BL-LTSP1A-4L6D-LH	BL-LTSP1A-4L6D-RH	BL-LTSP1A-4L6D-RH
		5"L x 7"D	BL-LTSP1A-5L7D-LH	BL-LTSP1A-5L7D-LH	BL-LTSP1A-5L7D-RH	BL-LTSP1A-5L7D-RH
		6"L x 6"D	BL-LTSP1A-6L6D-LH	BL-LTSP1A-6L6D-LH	BL-LTSP1A-6L6D-RH	BL-LTSP1A-6L6D-RH

Contact Customer Support for custom sizes. 800.736.0925.

*"EXTRA" parts may not fit depending on back support, pad, and hardware size and style combinations. Please contact customer support with questions.

1.2 BASIC PAD STYLE

MSRP \$0.00/ea.



	STYLE OPTIONS	LEFT	*EXTRA LEFT	RIGHT	*EXTRA RIGHT
OR	MOLDABLE	LTS-P1-MOLD	LTS-P1-MOLD	LTS-P1-MOLD	LTS-P1-MOLD
	RIGID	LTS-P1-RIGID	LTS-P1-RIGID	LTS-P1-RIGID	LTS-P1-RIGID

1.3 BASIC PAD COVER

MSRP \$0.00/ea.



	COVER OPTIONS	LEFT	*EXTRA LEFT	RIGHT	*EXTRA RIGHT
OR	COMFORT-TEK™	LTS-P1-COMFORT	LTS-P1-COMFORT	LTS-P1-COMFORT	LTS-P1-COMFORT
	STRETCH-AIR™	LTS-P1-STRETCH	LTS-P1-STRETCH	LTS-P1-STRETCH	LTS-P1-STRETCH

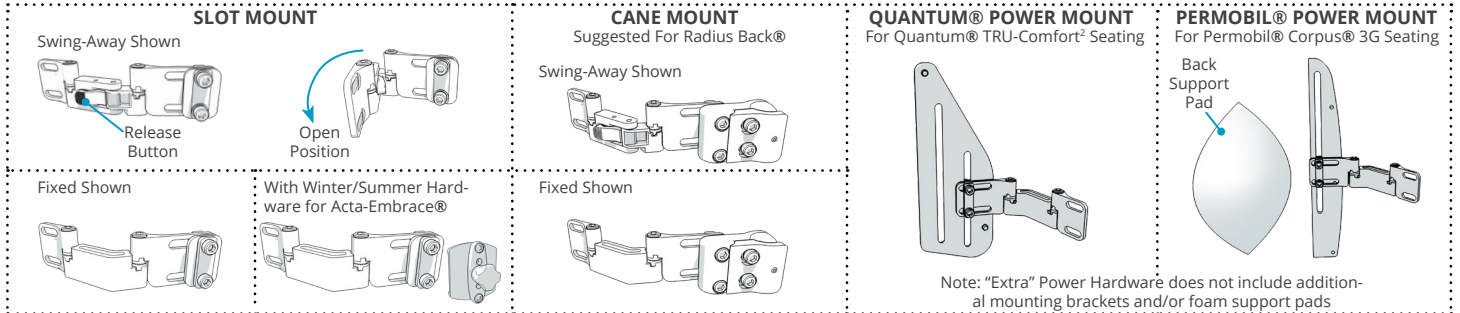
2 MOUNTING HARDWARE

• You may make one selection per column in section 2.1.
 • If choosing Track Mount Hardware, you must also indicate the back support length it will be attached to (Acta-Backs or Visco Back).

2.3 GT MOUNTING HARDWARE

• You may make one selection per column (Left, Extra Left, Right, and Extra Right) in section 2.3.
 • GT and GT2 Hardware and Pad styles are interchangeable. GT2 hardware, next page.
 • GT hardware extra links (section 2.4) will only work with GT style hardware.

Both Fixed and Swing-Away hardware styles are adjustable.



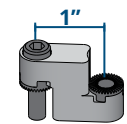
SWING-AWAY HCPCS Code: E1028	STYLE	MSRP	LEFT	*EXTRA LEFT	RIGHT	*EXTRA RIGHT
	SLOT MOUNTING	\$271.00/ea.	BL-LTS-GT1SAS-LH	BL-LTS-GT1SAS-LH	BL-LTS-GT1SAS-RH	BL-LTS-GT1SAS-RH
ACTA-RELIEF™ SLOT MT	\$271.00/ea.	BL-LTS-GT1SAK-LH	BL-LTS-GT1SAK-LH	BL-LTS-GT1SAK-RH	BL-LTS-GT1SAK-RH	
ACTA-EMBRACE® SLOT MT w/ WINTER/SUMMER	\$425.00/ea.	BL-LTS-GT1SAWSAE-LH	BL-LTS-GT1SAWSAE-LH	BL-LTS-GT1SAWSAE-RH	BL-LTS-GT1SAWSAE-RH	
CANE MOUNTING	\$271.00/ea.	BL-LTS-GT1SAC-LH	BL-LTS-GT1SAC-LH	BL-LTS-GT1SAC-RH	BL-LTS-GT1SAC-RH	
QUANTUM® POWER	\$277.00/ea. \$271.00/ea. extra	BL-LTS-GT1SAPW1-LH	BL-LTS-GT1SAPW1X-LH (MSRP \$271.00)	BL-LTS-GT1SAPW1-RH	BL-LTS-GT1SAPW1X-RH (MSRP \$271.00)	
PERMOBIL® POWER	\$277.00/ea. \$271.00/ea. extra	BL-LTS-GT1SAPW2-LH	BL-LTS-GT1SAPW2X-LH (MSRP \$271.00)	BL-LTS-GT1SAPW2-RH	BL-LTS-GT1SAPW2X-RH (MSRP \$271.00)	

OR

FIXED	STYLE	MSRP	LEFT	*EXTRA LEFT	RIGHT	*EXTRA RIGHT
	SLOT MOUNTING	\$129.00/ea.	BL-LTS-GT1FXS-LH	BL-LTS-GT1FXS-LH	BL-LTS-GT1FXS-RH	BL-LTS-GT1FXS-RH
ACTA-RELIEF™ SLOT MT	\$129.00/ea.	BL-LTS-GT1FXK-LH	BL-LTS-GT1FXK-LH	BL-LTS-GT1FXK-RH	BL-LTS-GT1FXK-RH	
ACTA-EMBRACE® SLOT MT w/ WINTER/SUMMER	\$283.00/ea.	BL-LTS-GT1FXWSAE-LH	BL-LTS-GT1FXWSAE-LH	BL-LTS-GT1FXWSAE-RH	BL-LTS-GT1FXWSAE-RH	
CANE MOUNTING	\$155.00/ea.	BL-LTS-GT1FXC-LH	BL-LTS-GT1FXC-LH	BL-LTS-GT1FXC-RH	BL-LTS-GT1FXC-RH	
QUANTUM® POWER	\$217.00/ea. \$129.00/ea. extra	BL-LTS-GT1FXPW1-LH	BL-LTS-GT1FXPW1X-LH (MSRP \$129.00)	BL-LTS-GT1FXPW1-RH	BL-LTS-GT1FXPW1X-RH (MSRP \$129.00)	
PERMOBIL® POWER	\$217.00/ea. \$129.00/ea. extra	BL-LTS-GT1FXPW2-LH	BL-LTS-GT1FXPW2X-LH (MSRP \$129.00)	BL-LTS-GT1FXPW2-RH	BL-LTS-GT1FXPW2X-RH (MSRP \$129.00)	

*"EXTRA" parts may not fit depending on back support, pad, and hardware size and style combinations. Please contact customer support with questions. Winter/Summer hardware requires an Acta-Embrace® wing for mounting lateral trunk support hardware.

2.4 GT ADDITIONAL OPTIONS



EXTRA HARDWARE LINKS	LEFT	ADD'L LEFT	RIGHT	ADD'L RIGHT
MSRP \$37.00/link	BL-LTS-GT1LINK	BL-LTS-GT1LINK	BL-LTS-GT1LINK	BL-LTS-GT1LINK



HARDWARE COVER	LEFT	*EXTRA LEFT	RIGHT	EXTRA RIGHT
MSRP \$26.00/ea	BL-LTS-HCOVER	BL-LTS-HCOVER	BL-LTS-HCOVER	BL-LTS-HCOVER



WINTER/SUMMER HARDWARE	LEFT	RIGHT
MSRP \$154.00/ea	BL-LTS-HWSAE-LH	BL-LTS-HWSAE-RH

WINTER/SUMMER HARDWARE is only available with Acta-Embrace® Back Supports using SLOT MOUNTING style hardware.