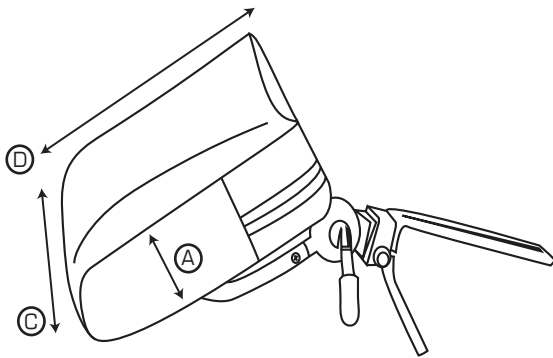


# NON-STANDARD TEMPLATE

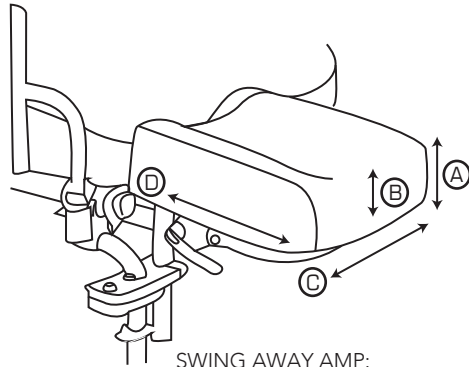
## AMPUTEE SUPPORT

Includes Amp Pad and Hardware



AMPKIT:   
 (Used with solid seat base or  
 attach to bottom of cushion)

(check one)



SWING AWAY AMP:  
 (attaches to wheelchair frame tubing)  
 Aluminum  
 Aluminum Large  
 Steel

### PLEASE FILL OUT THE FOLLOWING

#### Product Information

- 1) ADDUCTOR THICKNESS (A) : \_\_\_\_\_"      3) WIDTH (C) : \_\_\_\_\_"  
 2) LEG TROUGH THICKNESS (B) : \_\_\_\_\_"      4) LENGTH (D) : \_\_\_\_\_"

#### Customer Information

CUSTOMER ACCT # : \_\_\_\_\_ SHIP TO LOCATION : \_\_\_\_\_  
 CONTACT PERSON : \_\_\_\_\_  
 PHONE # : \_\_\_\_\_  
 FAX # : \_\_\_\_\_ PATIENT REFERENCE : \_\_\_\_\_  
 E-MAIL : \_\_\_\_\_ QUOTE REQUEST SUPPLY : \_\_\_\_\_

COMMENTS:

**PLEASE FAX TO PERMOBIL • 406.522.8563**