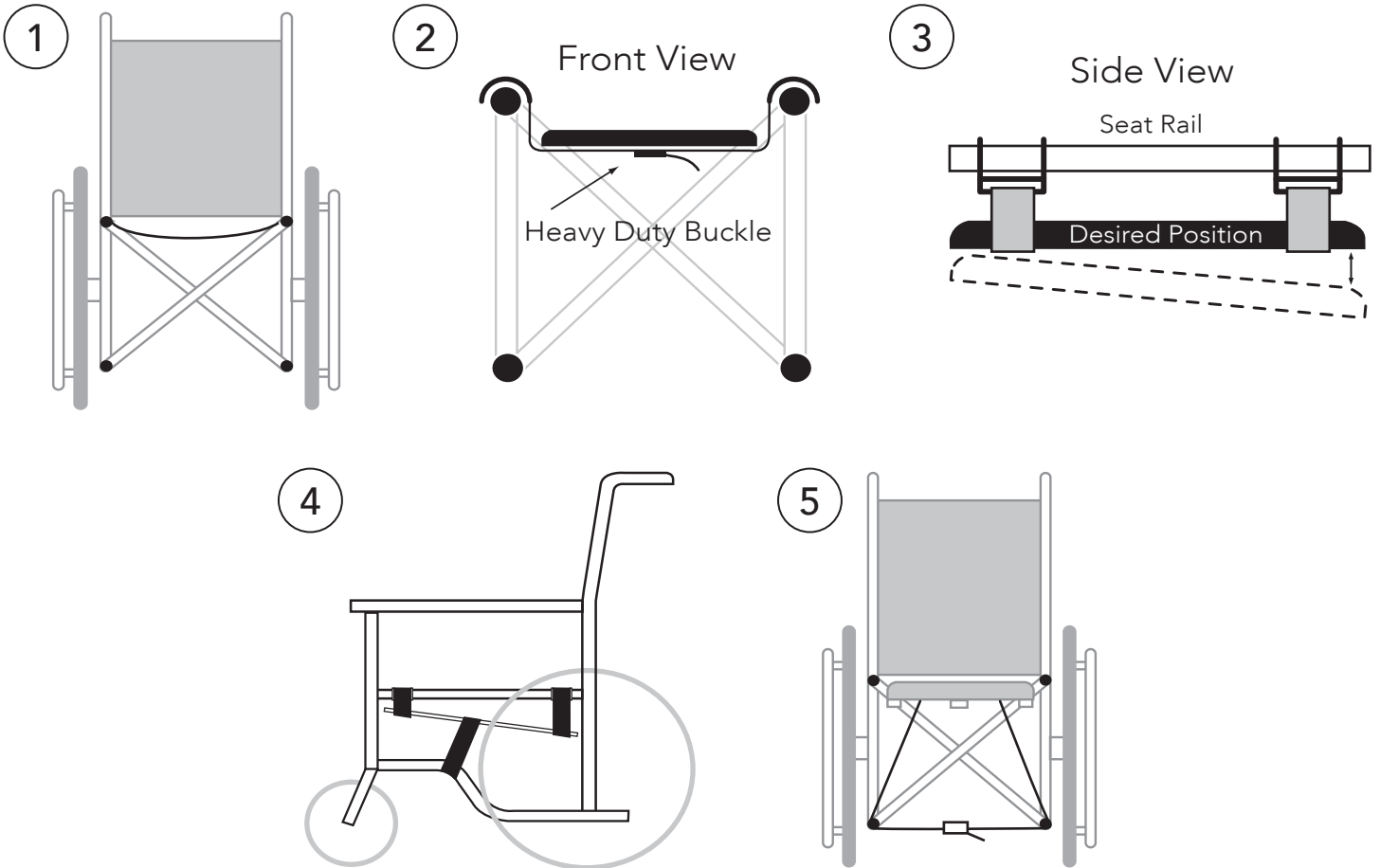


## SMART SEAT® & COMPLETE SEAT®

**WARNING:** Center strap **MUST** be secured and tightened to insure proper stability and safety of seat. All straps **MUST** be checked periodically for tightness.



- 1** Remove existing seat from wheelchair.
- 2** Place drop hooks over the upper wheelchair seat rail.
- 3** Place seat at the desired position and then lower front 1" by adjusting the heavy duty buckle on the front and rear strap.
- 4** Thread center strap under bottom rails, move strap to angled portion of bottom rail and connection buckle.
- 5** Pull center strap as tight as possible. Tighten rear strap. Tighten front strap until front of seat is at desired height. This locks the unit in place.