

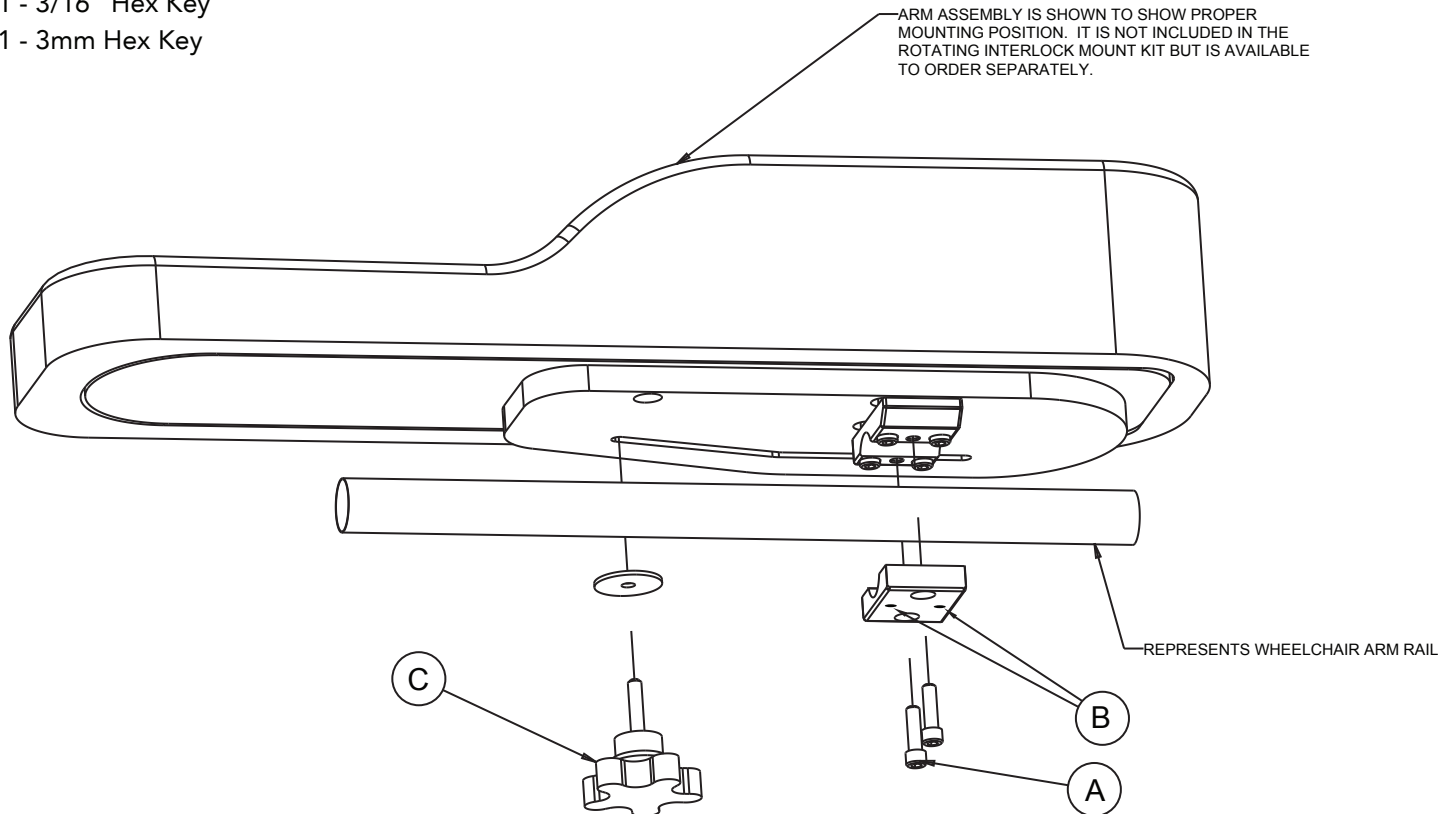
ROTATING INTERLOCK MOUNT

Comfort Arm®, Smart Arm, DuraSoft Half Tray, and Swing Clear Half Tray

Parts Included:

- 1 - Rotating Interlock Hardware Assembly
- 1 - 3/16" Hex Key
- 1 - 3mm Hex Key

ARM ASSEMBLY IS SHOWN TO SHOW PROPER MOUNTING POSITION. IT IS NOT INCLUDED IN THE ROTATING INTERLOCK MOUNT KIT BUT IS AVAILABLE TO ORDER SEPARATELY.



- 1 Remove existing armrest from wheelchair.
- 2 Remove the two screws (A) from the bottom of the clamp using the 3/16" Hex Key provided and position the assembly around the wheelchair arm rail.
- 3 Securely fasten the screws (A) as shown to secure the arm rest in place.
- 4 Securely fasten two tube clamp locking screws (B) using 3mm Hex Key.
- 5 To adjust angle or swing unit away, loosen the adjustment knob (C).
- 6 Securely tighten the adjustment knob after the mount is correctly positioned.