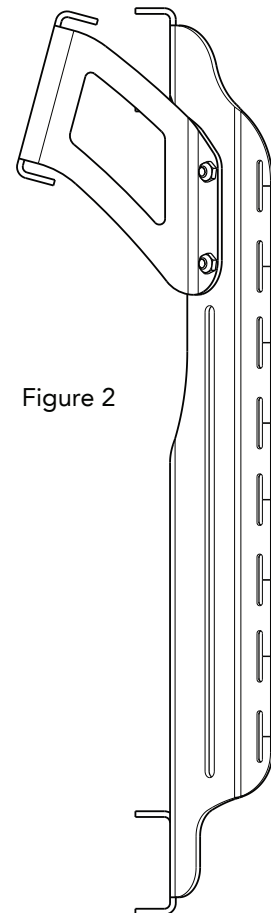
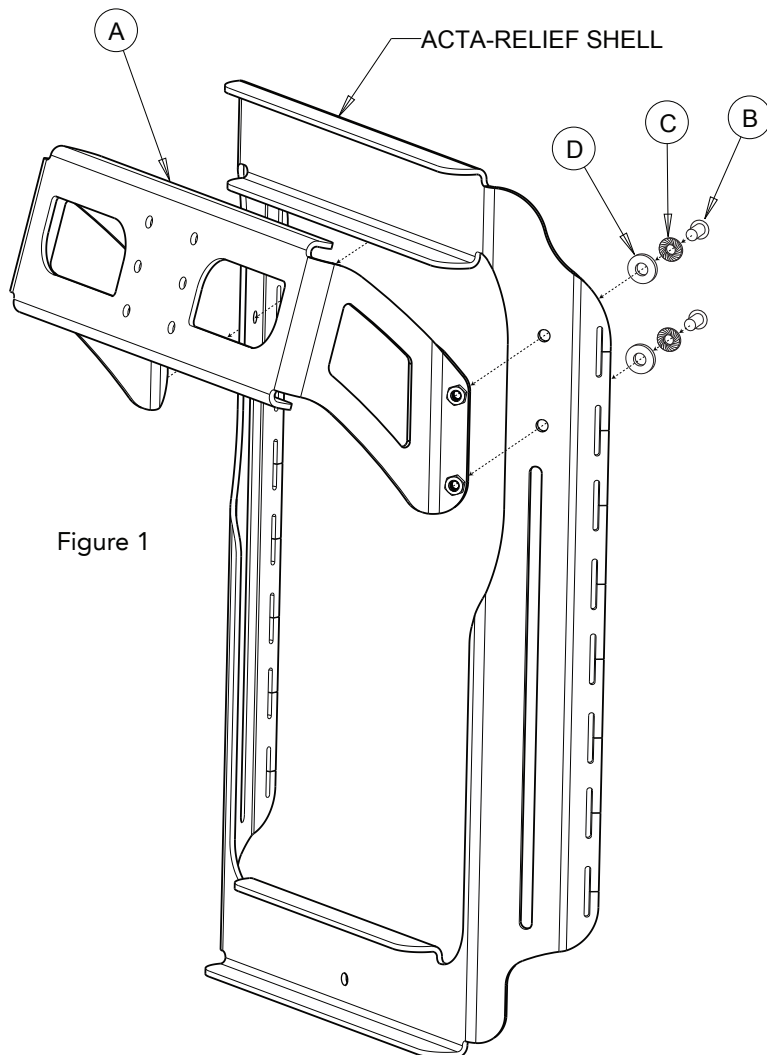


ACTA-RELIEF HEADREST BRACKET

Parts Included:

Item	Description	Qty	Part Number
A	Acta-Relief Headrest Bracket	1	425074-M_W
B	Screw - M6 x 1.0 x 16mm Button Head	4	30299
C	Washer - Safety Lock	4	30416
D	Washer - M6 Flat	4	30417
E	Wrench - 5/32" Allen (not pictured)	1	30207



1 Align bracket (A) with Acta-Relief Shell as shown in Figure 1 and secure using parts B, C & D with 5/32" allen wrench.

2 Refer to the instructions provided with your headrest for Headrest Hardware installation.

Assembly order: (A) - (SHELL) - (D) - (C) - (B)

Figure 2 - Side view with bracket attached.