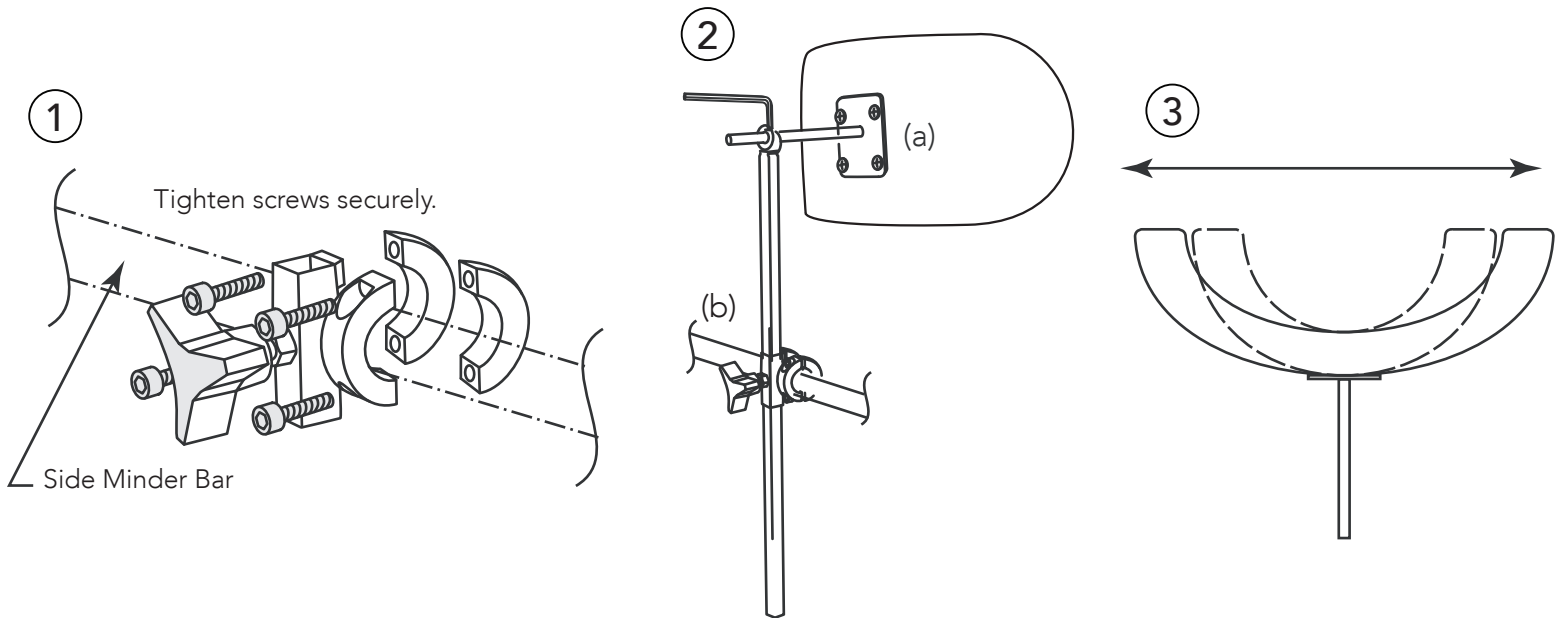
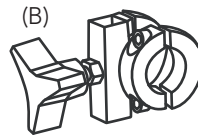
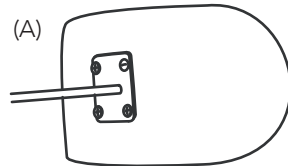


HEADREST

MAKE SURE SCREWS ARE TIGHTLY FASTENED UPON COMPLETION. ALLEN WRENCH PROVIDED FOR TIGHTENING AND LOOSENING OF SCREWS.

Parts Included:

1. Headrest Pad
2. SideMinder Adaptor
3. Headrest Bar



- 1 Mount SideMinder as per instructions. Take the 4 screws out of the SideMinder adaptor and reinstall around SideMinder horizontal tube. It should be positioned in the center with the knob facing towards the outside of the chair.
- 2
 - a. Side Headrest Bar into SideMinder adaptor to desired height. Tighten knob.
 - b. Adjust Headrest Pad depth by loosening the nut at the top of the Headrest Bar.
- 3 Head pad wings can be molded inward outward to fit patient's head.