

EAD ARM REST HARDWARE

ELEVATING, ARTICULATING, DEPTH ADJUSTABLE

PARTS INCLUDED:

- 1 - 3000R-HARD OR 3000L-HARD
- 1 - Armrest Pad
- 1 - 3/16" Hex Key Wrench

Figure 1:
Attaching EAD Hardware

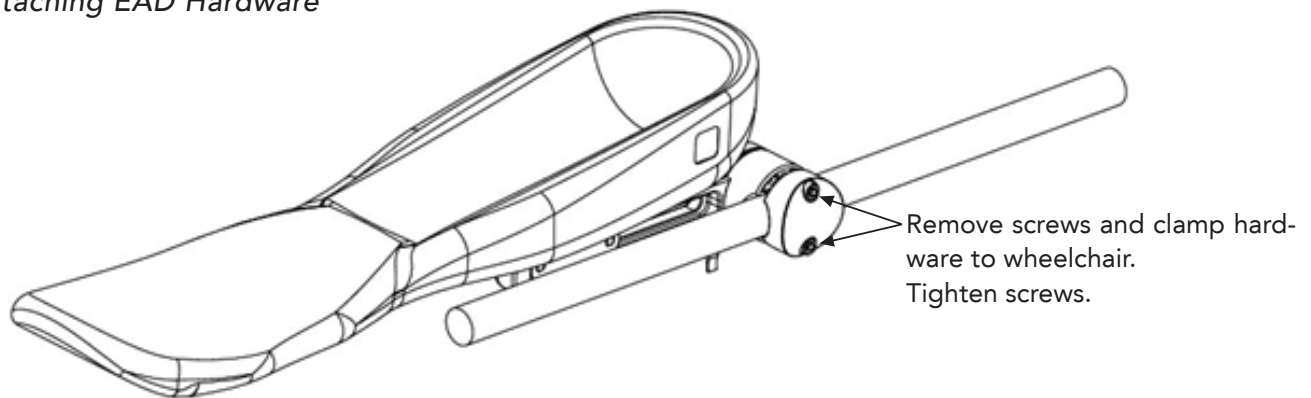
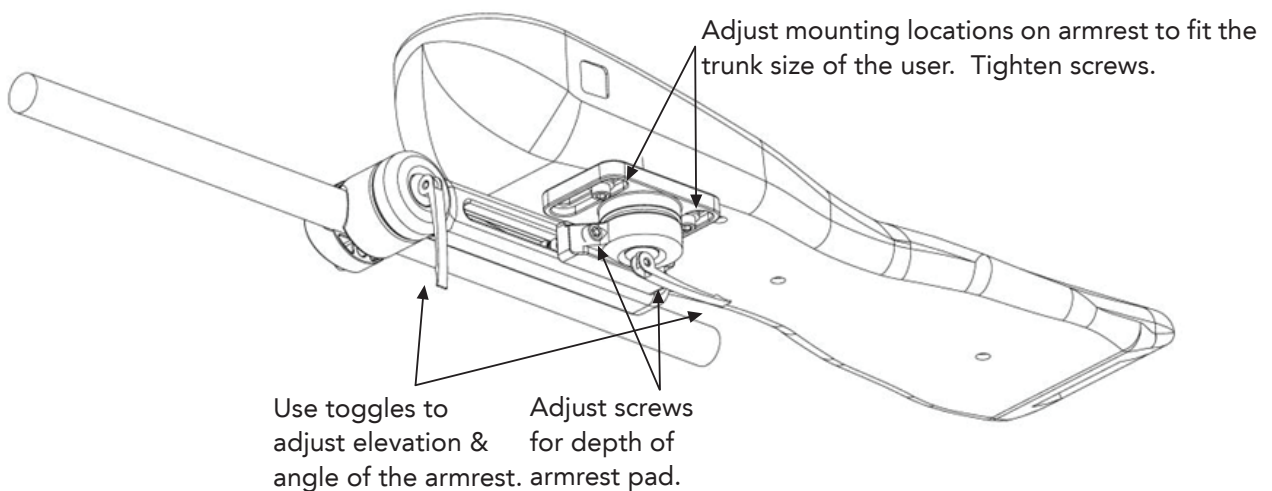


Figure 2:
Adjusting EAD Hardware



NOTE: Shown with Molded Arm (2300R-PAD or 2300L-PAD)