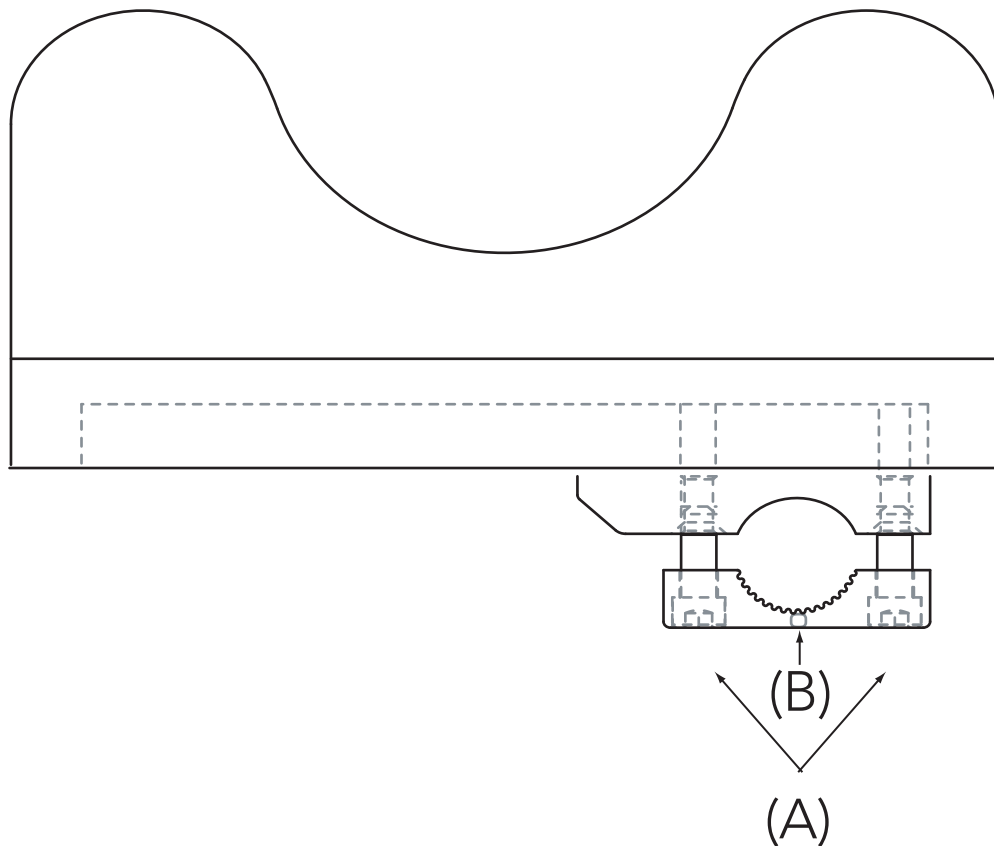

DIRECT INTERLOCK MOUNT

Comfort Arm®, Smart Arm, Molded Arm, Flip-Up Lap Tray, Trunk Support Firm

Example shown: Comfort Arm



-
- 1** Remove existing armrest from wheelchair.
 - 2** Take the 2 screws (A) out of bottom clamp. Mount top half of clamp that is connected to base plate to top of arm rest tube. Reinstall bottom damp with screws.
 - 3** Tighten tube clamp locking screw (B) using 3mm Hex Key.