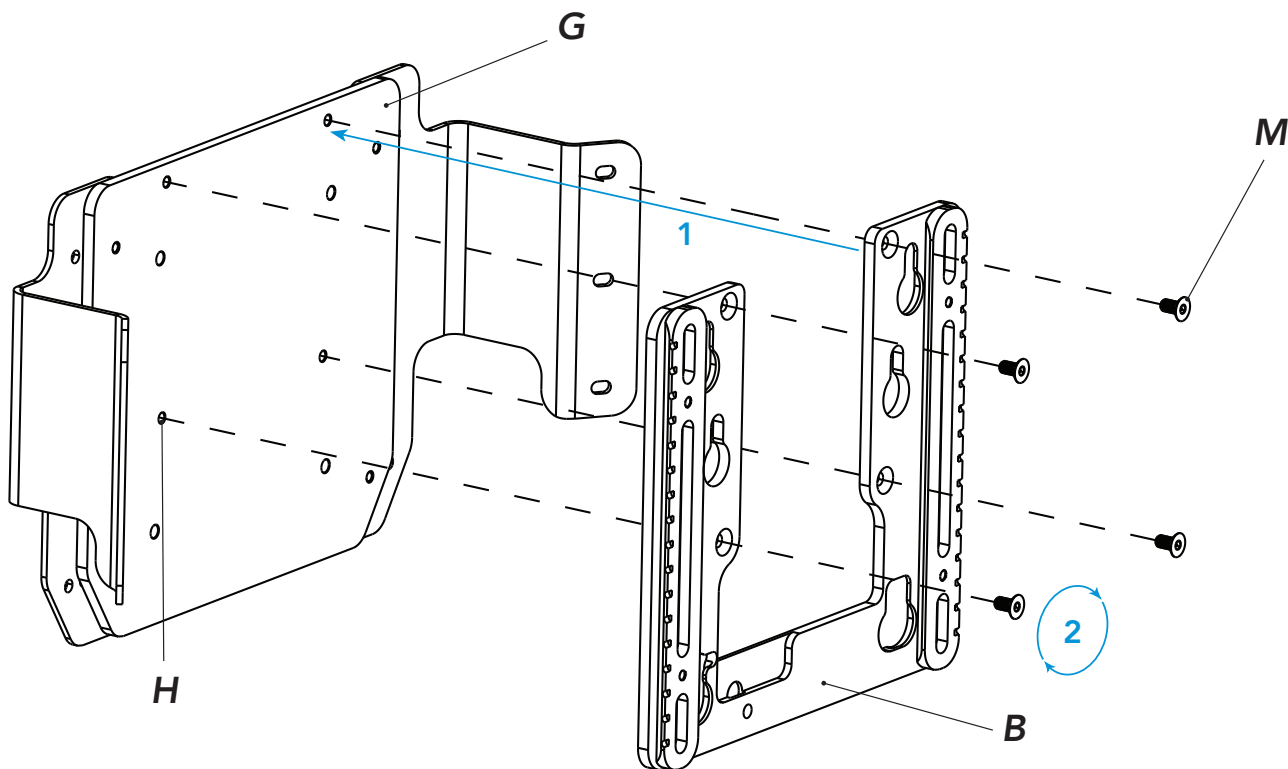




WARNING! To prevent injury, damages or voided warranty, DO NOT make any alterations to the equipment. Modifications in attempt to interface with any other products than those listed in this manual potentially compromise the safety of the user and voids warranty.

AVID REHAB INSTALLATION - (Allen wrench provided is required for installation.)



- 1** Align the four countersunk holes on mounting bracket **B** with threaded holes **H** on base mounting plate **G** as shown.
- 2** Use 12mm flat head screws **M** provided and fasten with the allen wrench.