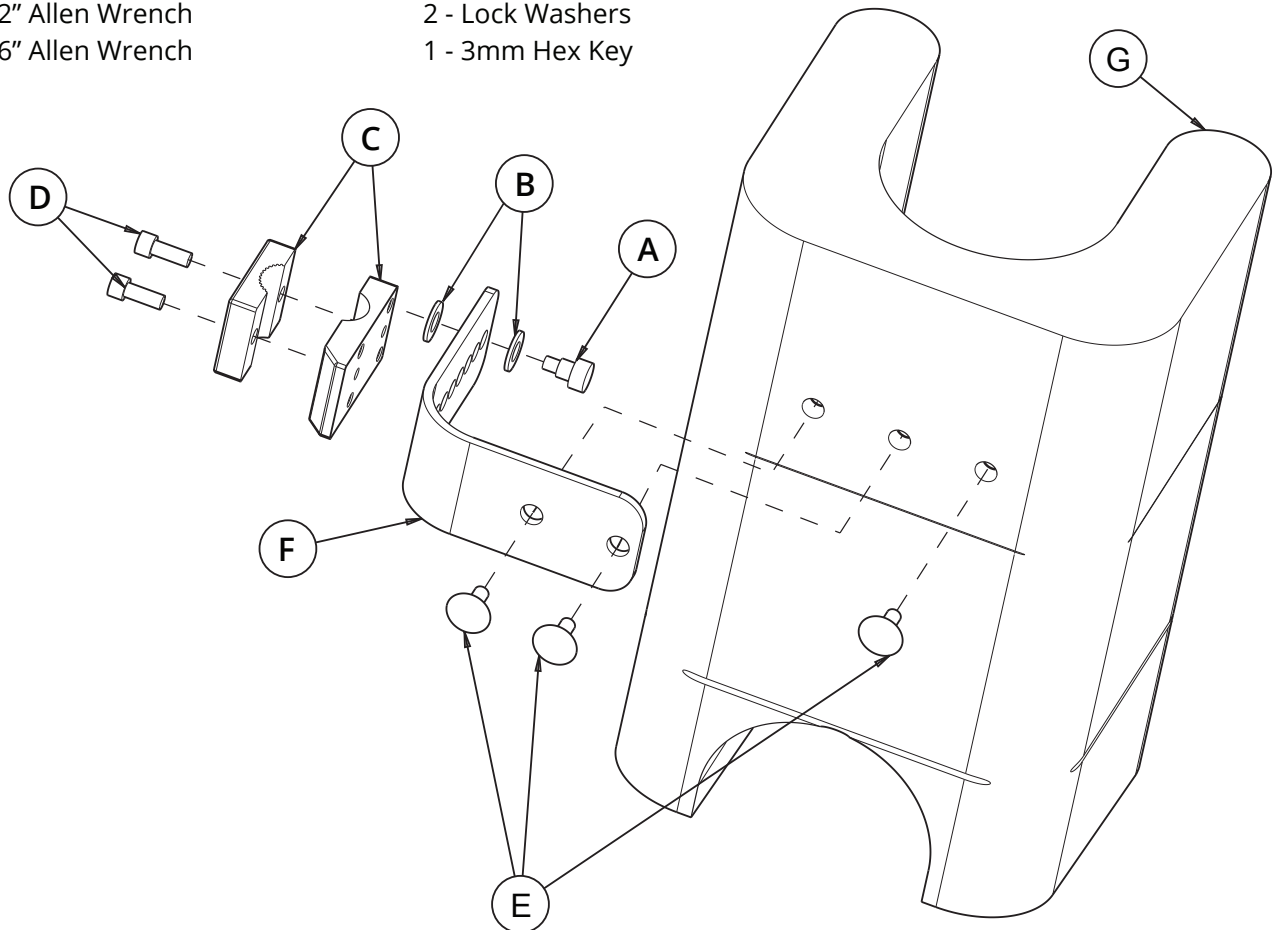


COMFORT FOOT SINGLE ELEVATING LEG REST PAD (FTSE & FTSTE)

Parts Included:

- | | |
|--|---|
| 1 - Single Elevating Leg Rest Assembly | 1 - Clamp and Bracket Hardware Assembly |
| 3 - ¼ - 20 x ¾" Truss Pan Head Screws | 1 - 5/16" Shoulder Bolt |
| 1 - 5/32" Allen Wrench | 2 - Lock Washers |
| 1 - 3/16" Allen Wrench | 1 - 3mm Hex Key |



- 1** Insert shoulder bolt **A** into first washer **B**, mounting bracket **F**, then second washer **B** and thread securely into the interlock cane clamp **C**.
NOTE: The various holes on the mounting bracket **F allow for varying foam height mounting.*
- 2** Attach the interlock cane clamp to the leg rest wheelchair tube. For 1" diameter tubes, use the longer socket head cap screws provided in the products kit bag.

- 3** Securely fasten two tube clamp locking screws using 3mm Hex Key.
- 4** Attach the mounting bracket **F** to the foam pad assembly **G** using two of the pan head screws **E**. The third screw is provided for aesthetic purposes.

**NOTE: The provided diagram shows the assembly instructions for the left side leg rest.*