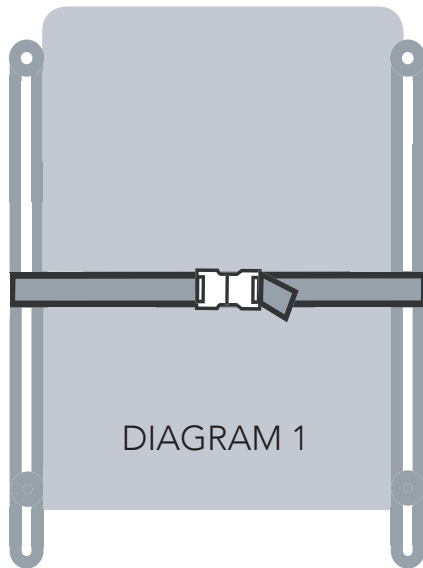
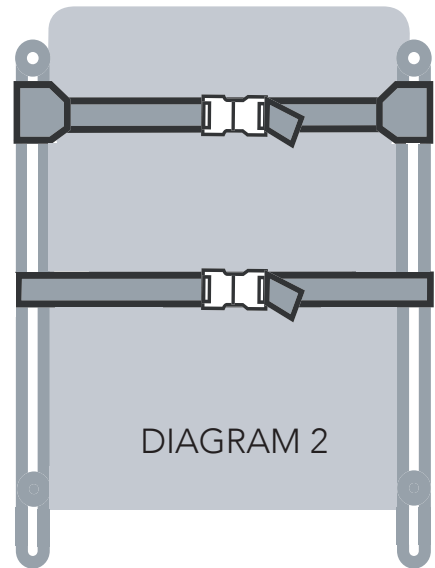

BACK INSTALLATION



See diagram 1 for SideHugger[®], Contour Visco Back, and the Comfort Back



See diagram 2 for SideHugger[®] Tall and the Tall Back.

-
- 1** Place back in front of existing wheelchair back.
 - 2** Grab straps and wrap around tubing.
 - 3** Connect straps, and tighten.