

HALO SAFETY RING

MODEL: 77301 - SINGLE SIDED MOUNT WITH CIRCLE MOUNTING BRACKET MOUNT

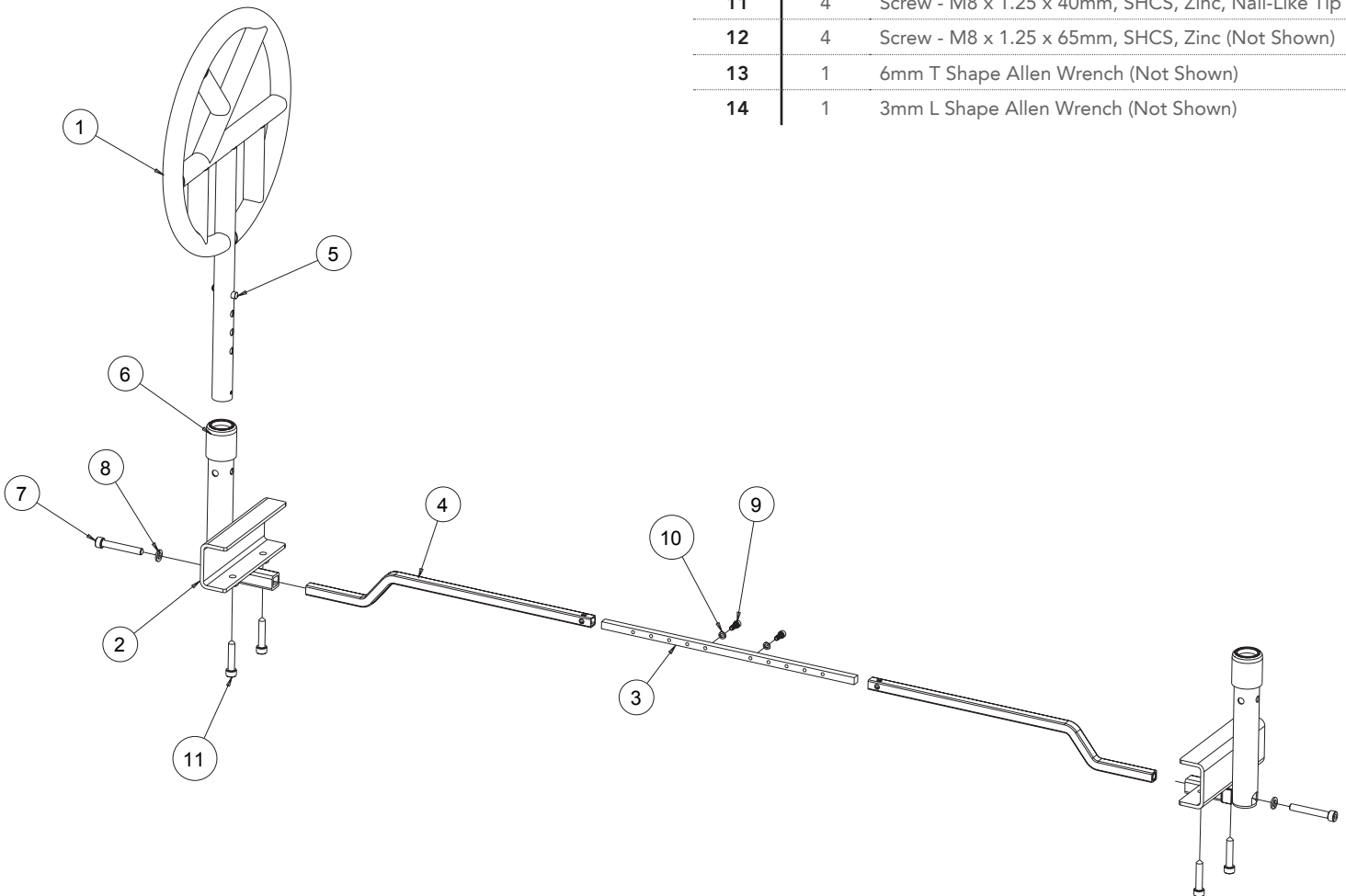
MODEL: 77302 - DOUBLE SIDED MOUNT WITH CIRCLE MOUNTING BRACKET MOUNT

Product Number 77302 comes with same items as Product Number 77301 except one extra Halo Safety Ring Circle (77104)

PARTS INCLUDED

ITEM	QTY	DESCRIPTION
1	1 or 2	Halo Safety Ring Circle
2	2	Halo Safety Ring C/Channel Circle Mounting Brackets
3	1	Halo Safety Ring, Straight Tube with Width Adjusting Holes
4	2	Halo Safety Ring, Contoured Tubes
5	2	Telescoping Connector Spring Clip

ITEM	QTY	DESCRIPTION
6	2	Rubber Tube Separator
-	1	Hardware Kit for Both the Halo Safety Ring Single Circle (77301) and Halo Safety Ring Double Circle Unit Product Number (77302)
7	2	Screw - M8 x 1.25 x 55mm, SHCS, Zinc
8	2	M8 Split Washer, Zinc
9	2	Screw - M5 x .8 x 14mm, SHCS, Zinc
10	2	M5 Split Washer, Zinc
11	4	Screw - M8 x 1.25 x 40mm, SHCS, Zinc, Nail-Like Tip
12	4	Screw - M8 x 1.25 x 65mm, SHCS, Zinc (Not Shown)
13	1	6mm T Shape Allen Wrench (Not Shown)
14	1	3mm L Shape Allen Wrench (Not Shown)



HALO SAFETY RING

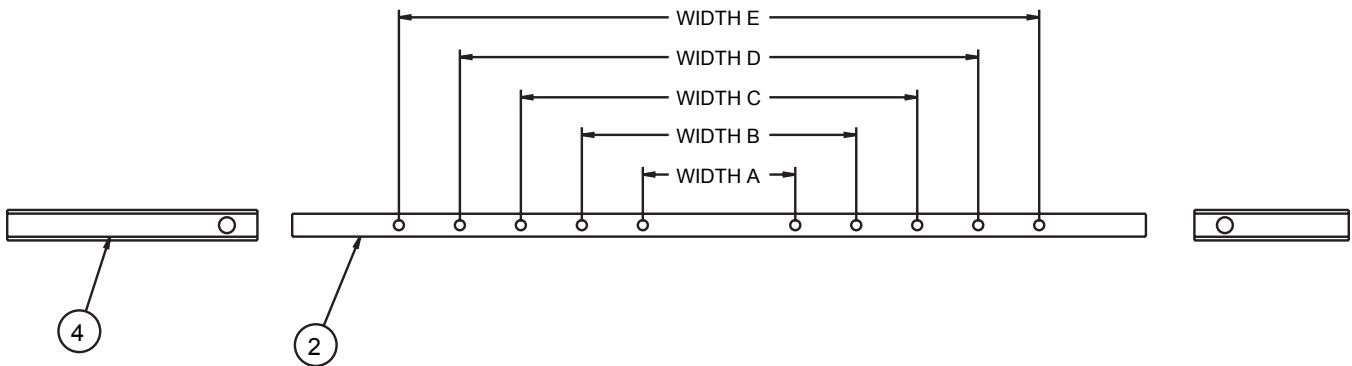
MODEL: 77301
MODEL: 77302

- 1** Raise the Head Portion of the bed up. Attach item 4 to item 2 using items 9 and 10, establishing the closest width to bed ratio.

Note: Do not extend the length of Items 4 and 2 any further than the outside of the bed width.

ACTUAL BED FRAME WIDTH:

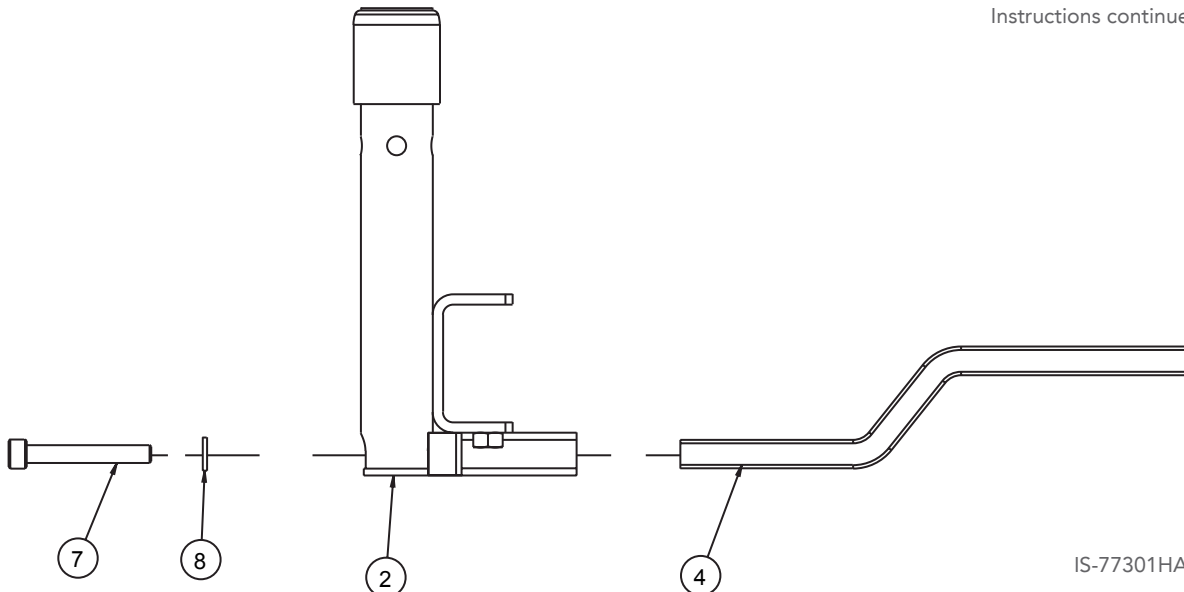
WIDTH A = 34" < 36"
WIDTH B = 36" < 38"
WIDTH C = 38" < 40"
WIDTH D = 40" < 42"
WIDTH E = 42" < 44"



- 2** Lower the Head Portion of the bed leaving Items 4 and 2 tightened together and in place above the crease of the head portion of the bed, about 6 to 12 inches.

Attach (1) Item 2 to Item 4 using Items 7 and 8, do not fully tighten. Place the first Item 2 over the side of the bed that raises the head up and down.

Instructions continued on next page.

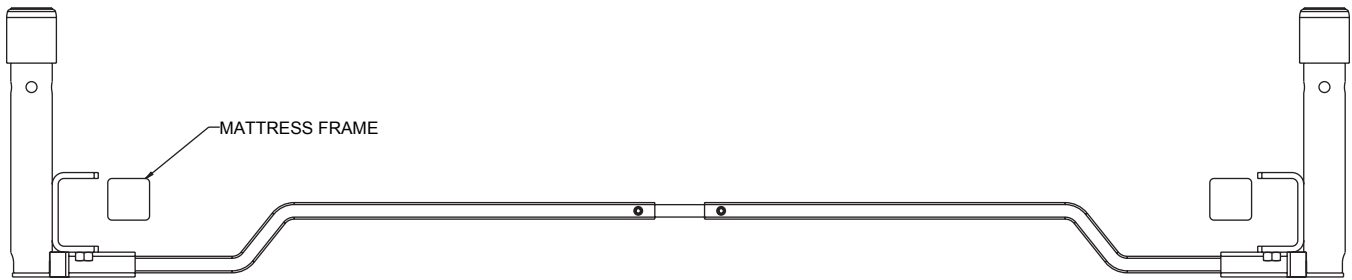


HALO SAFETY RING

MODEL: 77301
MODEL: 77302

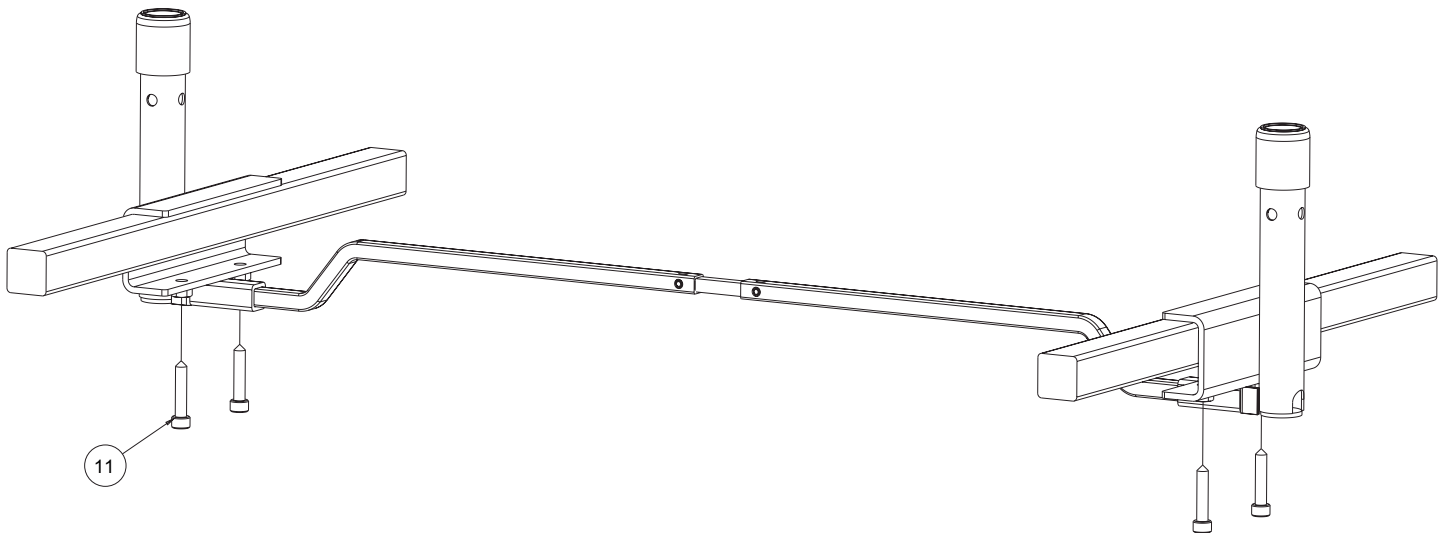
- 3** Repeat this process again on the opposite side of the bed. Tighten Item 7 on both sides of the bed evenly.

Note: *The Halo Safety Ring moves up and down with the head portion that raises the head up and down. It does not connect to the main frame.*



- 4** Once the Halo Safety Ring Bracket system is safely installed, attach Item 11 to Item 2 on each side of the bed. Tighten Item 11 so it digs into the bed frame to secure the Halo Safety Ring system into place.

Note: *If the bed has an L-shaped steel frame, use Item 12 instead of Item 11.*



You are now ready to install the Halo Safety Ring (77104) into the Circle Mounting Brackets (77305).

Note: *Based on whatever unit is purchased you would need to repeat the installation process of the Halo Safety Ring if you purchased a (77302), Halo Safety Ring Double Sided Circle Unit.*



- WARNING -



Mattress must remain in firm contact with the Halo Safety Ring on both sides of the bed. If a Halo Safety Ring is only installed on one side of the bed, the mattress must remain in firm contact with the mattress stay or mount bracket on the other side of the bed. In order to prevent entrapment in Zones 1 through 4 and create a protective sleep environment, two complete Carroll Circle Mounting Brackets must be installed on the same bed.

HALO SAFETY RING

MODEL: 77301
 MODEL: 77302

- WARNING -

- Serious injury or death can result if the Halo Safety Ring is not properly installed.
- DO NOT use this product or any available optional equipment without first completely reading & understanding these instructions. If you are unable to understand the warnings, cautions or instructions, contact customer service at (800) 564-9248 for assistance before attempting to use this equipment - otherwise, injury or damage may occur.
- The Halo Safety Ring is not intended to prevent an individual from inadvertently rolling out of bed. DO NOT use the Halo Safety Ring for restraint purposes. DO NOT use to transport or move bed.
- ENTRAPMENT MAY OCCUR. Proper patient assessment and monitoring, and proper maintenance and use of equipment is required to reduce the risk of entrapment. Variations in mattress thickness, size or density could increase the risk of entrapment. Visit the FDA website at <http://www.fda.gov> to learn about the risks of entrapment.
- Remove bed rails and all bed rail mounting brackets prior to installation of the Halo Safety Ring.
- The Halo Safety Ring is rated for use with patients weighing up to 1000 lbs. Although the Halo Safety Ring is rated for such use, it may become deformed or broken if excessive force is exerted on the device.
- After installation, verify the mattress is in firm contact with the Halo Safety Ring and that the mattress cannot shift away.
- Detent pins used to rotate the Halo Safety Ring must be engaged with holes in the Halo Bracket prior to use, refer to Figure 1.
- The Halo Safety Ring must be perpendicular (90°) to the bed if used to assist the user out of a chair. Detent pins must be engaged with the holes in the Halo Safety Ring bracket prior to use as a patient assist.







WARNING!
IMPROPER INSTALLATION CREATES A RISK OF ENTRAPMENT

In order to avoid entrapment, the mattress must remain in firm contact with the Halo Safety Ring on both sides of the bed. If a Halo Safety Ring is only installed on one side of the bed, the mattress must also remain in firm contact with the mattress stay/bracket on the other side of the bed.



HALO SAFETY RING

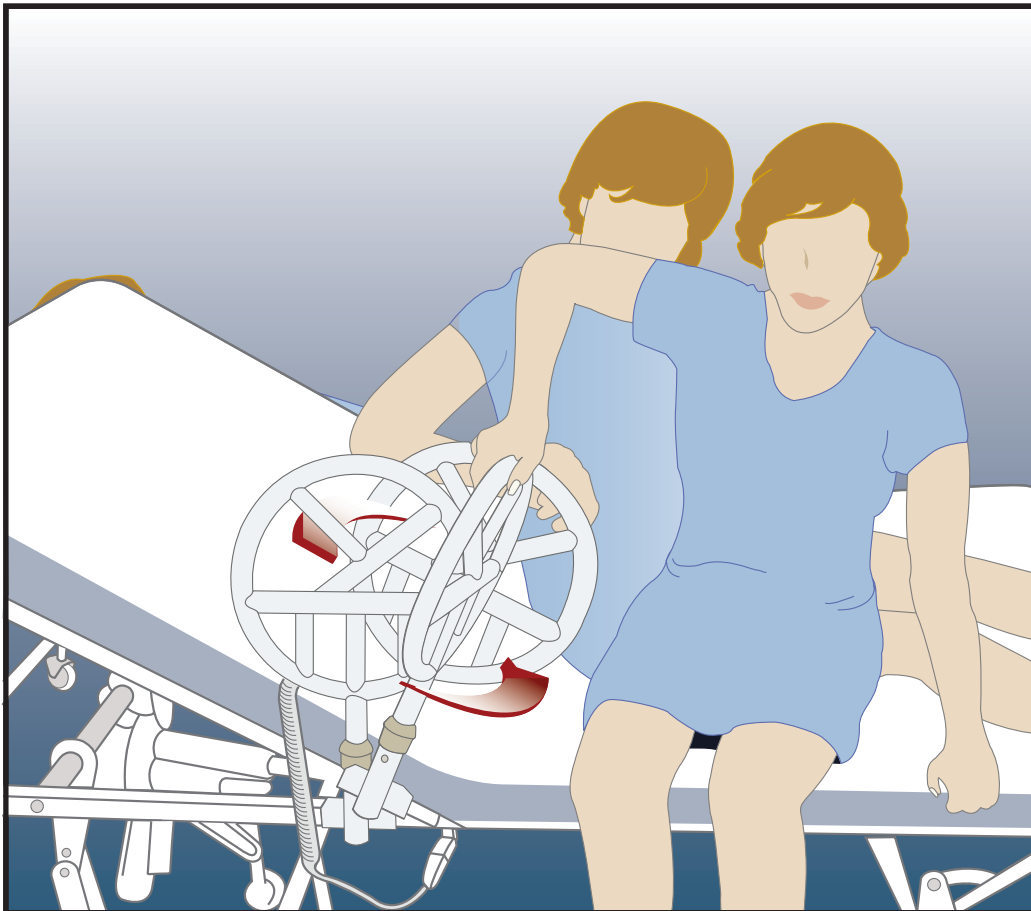
MODEL: 77301
MODEL: 77302

INSTRUCTIONS FOR USE

The Halo Safety Ring can be grasped by the resident to assist in bed mobility. This can help build strength, increase independence, and help prevent skin breakdown.

The Halo Safety Ring is designed to rotate ninety degrees (90°) to assist residents during transfers and as a bed mobility device. Follow the steps for safely rotating the Halo Safety Ring.

- 1** In order to rotate the Halo Safety Ring, pinch the detent pins and rotate the Halo Safety Ring ninety degree (90°) as shown below.
- 2** Detent pins must engage with the holes in Halo Safety Ring bracket prior to use.
- 3** Always position the Halo Safety Ring parallel with the bed when in use and make sure detent pins are engaged.



SAFETY PRECAUTIONS:

- Regularly check the Halo device to identify areas of possible entrapment, immediately cease using the bed until entrapment risk is fixed.
- Regularly check to make sure that there is no gap between the Halo Safety Ring and the side of the mattress. A gap could allow the user to become wedged between the bed rail and the mattress.
- Follow all assembly instructions carefully. Failure to follow the instructions could result in serious injury to the user(s) of the product.

- WARNING -

Failure to return the Halo Safety Ring to a parallel position when the bed is in use may cause entrapment hazard.