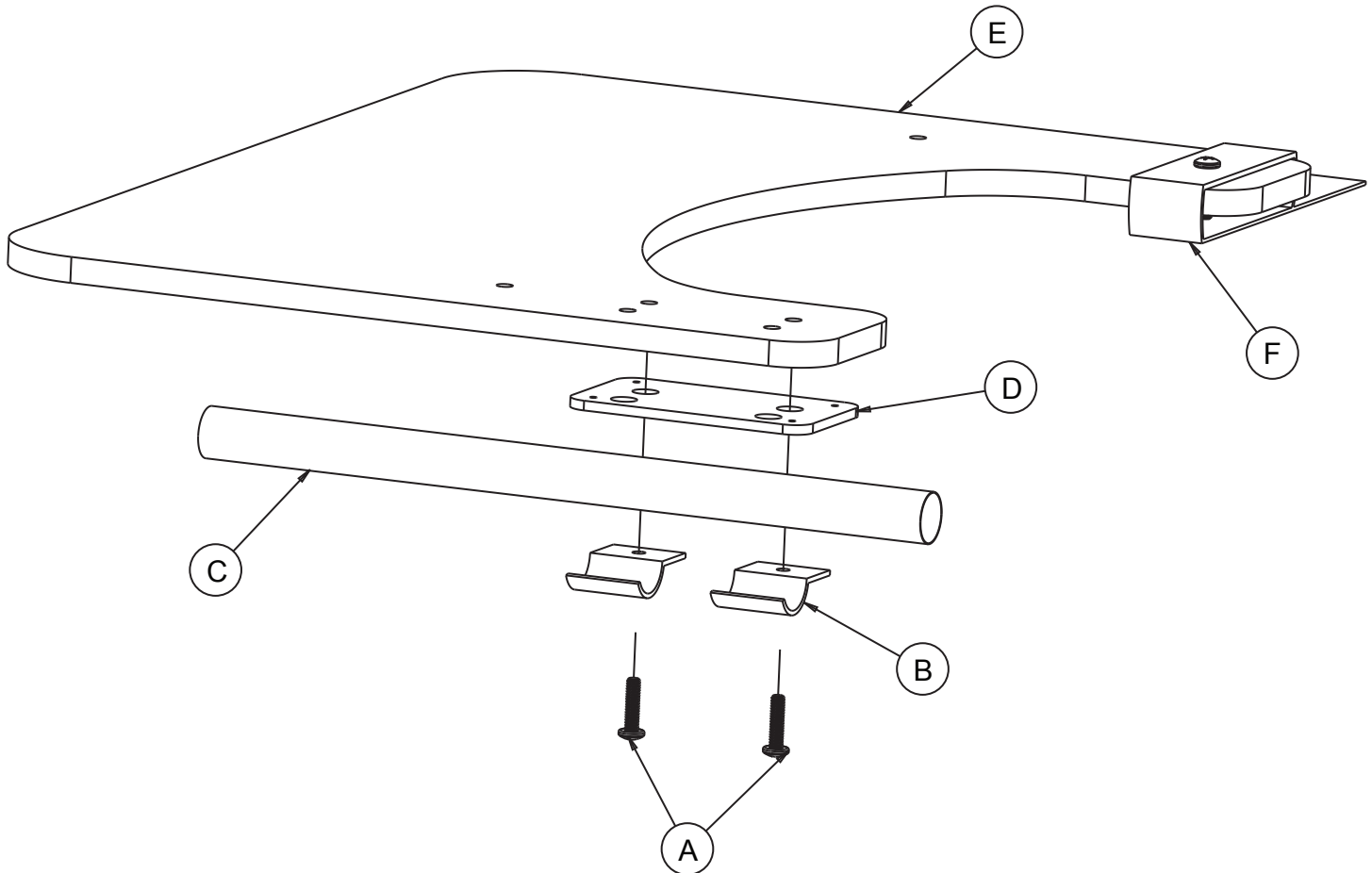


## 75K FULL DURASOFT LAP TRAY

### PARTS INCLUDED:

1 - 75K Full Durasoft Lap Tray

*\*Note - Phillips screw driver is required for installation.*



- 1 Remove existing armrest from wheelchair.
- 2 Using a Phillips screw driver, remove two screws (A) from bottom clamp (B). Position the wheelchair arm rail in line with the clamps (B). The wheelchair arm rail is represented by (C). Then reinstall skid plate (D) and clamp (B) using the screws (A).
- 5 Finally, secure the lap tray in position by using the hook and loop strap (F) and wrapping it around the far wheelchair arm rail.
- 6 To flip the lap tray (E) into the upright position, undo the hook and loop strap (F) and rotate the lap tray about the arm rail (C).