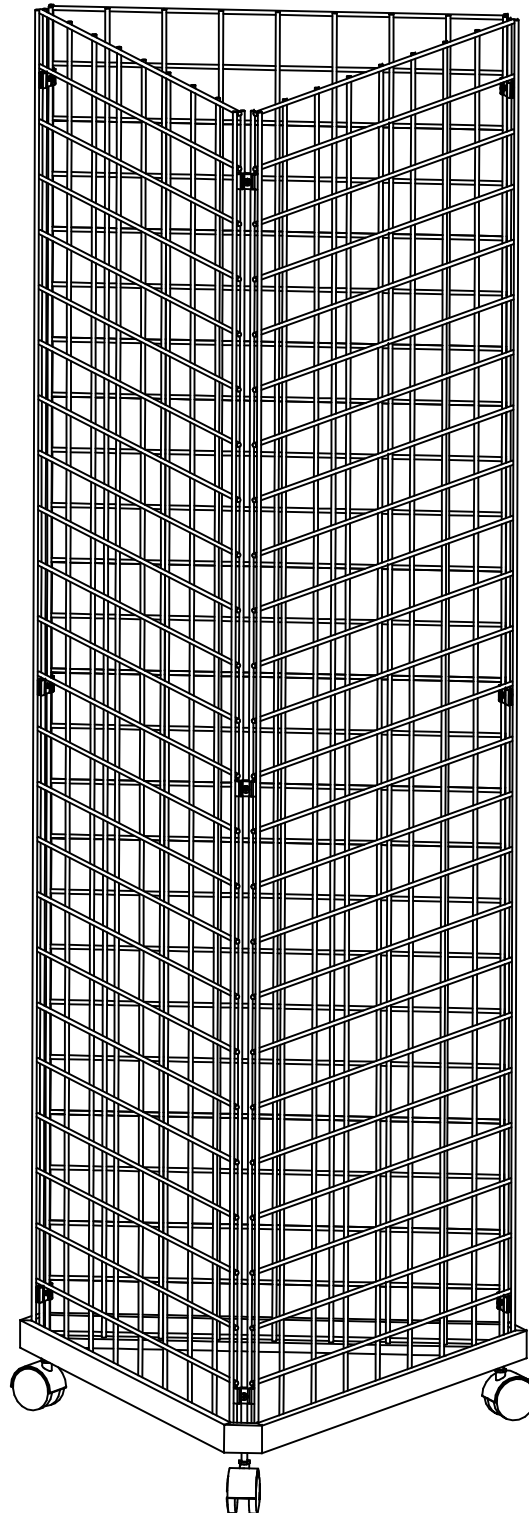
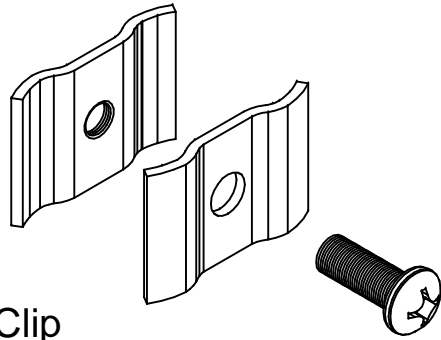


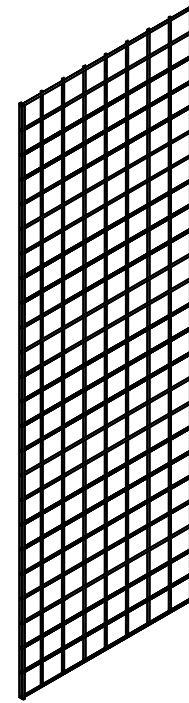
#05301
Grid Triangle Unit
Assembly Instructions



Grid Triangle Unit Components



Grid Clip
Qty 9 sets



Grid Panel
Qty 3



Phillips Drive
Bolt
Qty 3



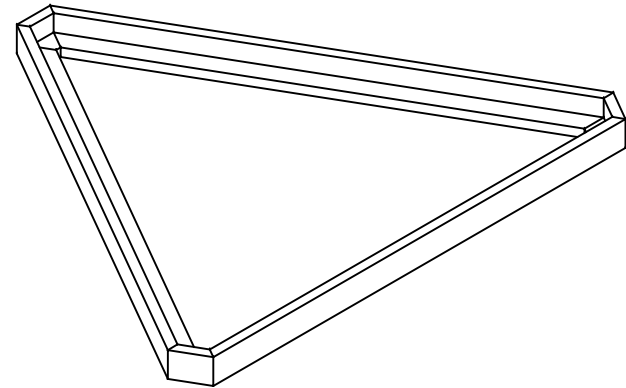
Washer
Qty 3



Nut
Qty 3



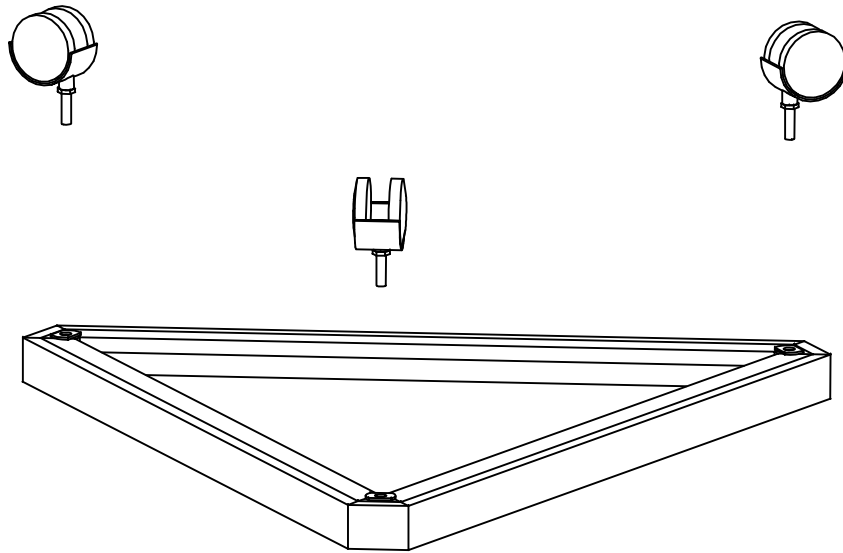
Grid Panel
Qty 3



Base Item 04305
Qty 1

Step 1

Turn the base upside down so that the holes are facing up. Screw the caster in the threaded holes. Set base aside for now.



Step 2

Assemble two of the grid panels using the grid clips (Fig. 1). Connect the end of one grid panel to the center vertical wire of a second grid panel (Fig. 2). Grid clips should be located in the second section from the bottom and the second section from the top of each grid panel.

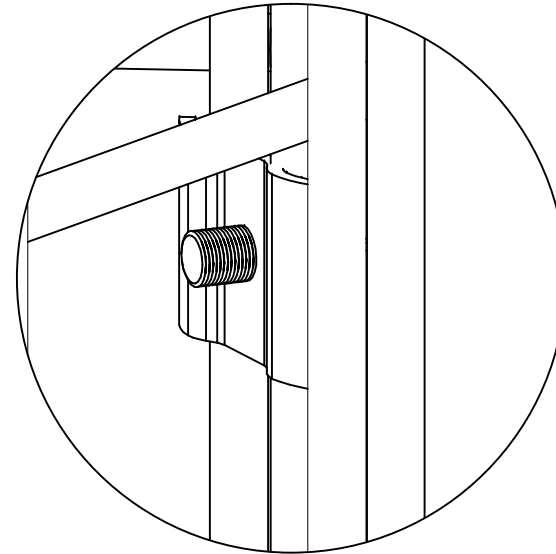
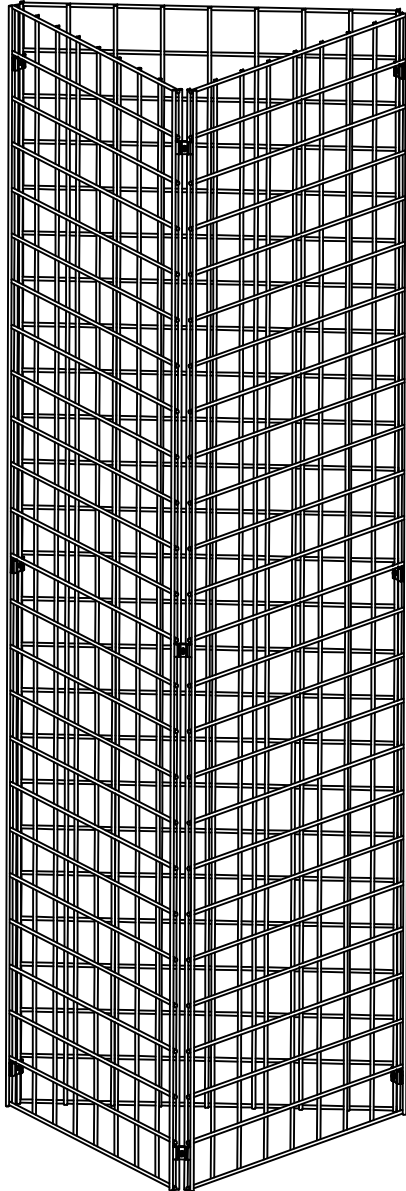


Fig. 1

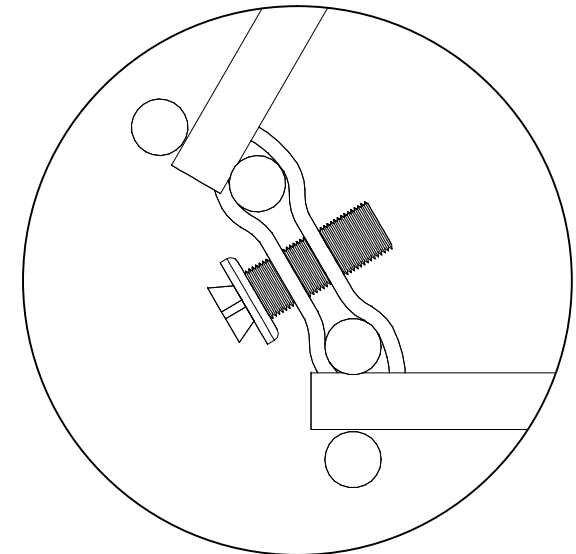


Fig. 2

Step 3

Set the grid panel pinwheel onto the base. Be sure to line up the center of the panel with the center of the base legs. This process might take some twisting of the grid clips. Once in place, use the phillips drive bolts, washers and nuts to secure the grid panels on the base. Slide the bolt through the hole in the tabs on the base legs and then the grid panel. Put the washer then thread the nut on the bolt. Repeat this for all four sides of the base.

